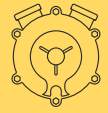


EP

ELETTROPOMPE IN BRONZO
BRONZE ELECTRIC PUMPS



EP 70

EPH 20-25 MF
EP 20-25-30-40-50 MF/TF



EP 20-25-30-40-50 CC

| | | | |
|---|--|--|---------------------|
| I | | MF | 2m + SCHUKO |
| | | TF | 4m |
| L | | | IP55 2m + SCHUKO |
| M | | Morsettiera Terminal board connection | IP55 |

ELETTROPOMPE MONOFASE (MF) O TRIFASE (TF) - 50 Hz / SINGLE-PHASE (MF) OR THREE PHASE (TF) ELECTRIC PUMPS - 50 Hz

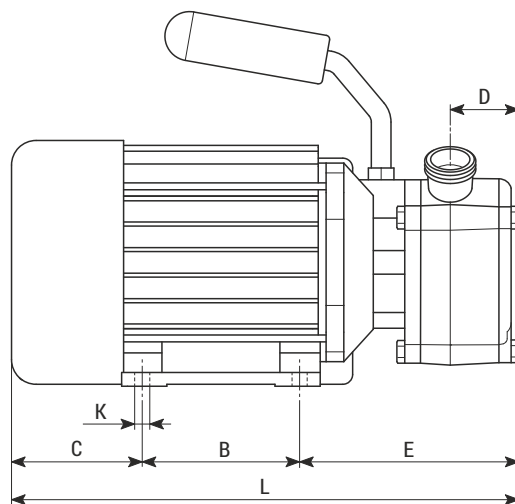
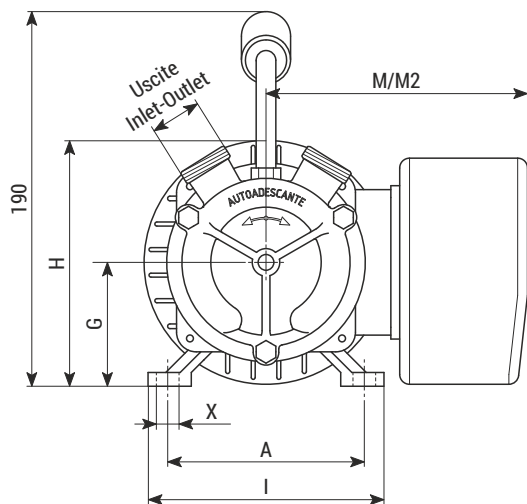
| Modello Type | Maniglia Handle | Motore Motor | Volt | Hz | kW | Giri/min. RPM | H = Prevalenza (metri) / Head (meters) - Q = Portata (l/min.) / Capacity (l/min.) | | | | | | | | | | | | | | | | |
|--------------|-----------------|--------------|---------|----|------|---------------|---|-----|-----|-----|-----|-----|----|----|----|----|----|---|--|--|--|--|--|
| | | | | | | | 0 | 5 | 10 | 12 | 15 | 18 | 22 | 24 | 30 | 35 | 40 | H | | | | | |
| EPH 20 | ● | L MF | 230 | 50 | 0.22 | 2800 | 29 | 20 | 10 | 6 | 0 | | | | | | | | | | | | |
| EPH 25 | ● | L MF | 230 | 50 | 0.45 | 2800 | 60 | 47 | 30 | 23 | 12 | 0 | | | | | | | | | | | |
| EP 20 | ● | M MF | 230 | 50 | 0.22 | 2800 | 29 | 20 | 10 | 6 | 0 | | | | | | | | | | | | |
| | ● | M MF | 110 | 50 | 0.22 | 2800 | 29 | 20 | 10 | 6 | 0 | | | | | | | | | | | | |
| | ● | I TF | 230-400 | 50 | 0.26 | 2800 | 29 | 20 | 10 | 6 | 0 | | | | | | | | | | | | |
| EP 25 | ● | M TF | 230-400 | 50 | 0.26 | 2800 | 29 | 20 | 10 | 6 | 0 | | | | | | | | | | | | |
| | X | M MF | 230 | 50 | 0.45 | 2800 | 60 | 47 | 30 | 23 | 12 | 0 | | | | | | | | | | | |
| | X | M MF | 110 | 50 | 0.45 | 2800 | 60 | 47 | 30 | 23 | 12 | 0 | | | | | | | | | | | |
| EP 30 | X | I TF | 230-400 | 50 | 0.56 | 2800 | 60 | 47 | 30 | 23 | 12 | 0 | | | | | | | | | | | |
| | X | M TF | 230-400 | 50 | 0.56 | 2800 | 60 | 47 | 30 | 23 | 12 | 0 | | | | | | | | | | | |
| | X | M MF | 230 | 50 | 0.75 | 1400 | 75 | 60 | 40 | 30 | 15 | 0 | | | | | | | | | | | |
| EP 40 | X | M MF | 110 | 50 | 0.75 | 1400 | 75 | 60 | 40 | 30 | 15 | 0 | | | | | | | | | | | |
| | X | I TF | 230-400 | 50 | 0.75 | 1400 | 75 | 60 | 40 | 30 | 15 | 0 | | | | | | | | | | | |
| | X | M TF | 230-400 | 50 | 0.75 | 1400 | 75 | 60 | 40 | 30 | 15 | 0 | | | | | | | | | | | |
| EP 50 | X | I MF | 230 | 50 | 1.1 | 1400 | 120 | 105 | 85 | 80 | 62 | 45 | 0 | | | | | | | | | | |
| | X | I MF | 110 | 50 | 1.1 | 1400 | 120 | 105 | 85 | 80 | 62 | 45 | 0 | | | | | | | | | | |
| | X | I MF | 230 | 50 | 1.1 | 1400 | 120 | 105 | 85 | 80 | 62 | 45 | 0 | | | | | | | | | | |
| | X | I MF | 110 | 50 | 1.1 | 1400 | 120 | 105 | 85 | 80 | 62 | 45 | 0 | | | | | | | | | | |
| | X | I TF | 230-400 | 50 | 0.75 | 1400 | 120 | 105 | 85 | 80 | 62 | 45 | 0 | | | | | | | | | | |
| | X | I TF | 230-400 | 50 | 1.1 | 1400 | 120 | 105 | 85 | 80 | 62 | 45 | 0 | | | | | | | | | | |
| | X | M TF | 230-400 | 50 | 1.1 | 1400 | 120 | 105 | 85 | 80 | 62 | 45 | 0 | | | | | | | | | | |
| EP 70 | n.d. | I MF | 230 | 50 | 1.87 | 1400 | 230 | 205 | 175 | 160 | 140 | 120 | 80 | 60 | 0 | | | | | | | | |
| | n.d. | I MF | 110 | 50 | 1.87 | 1400 | 230 | 205 | 175 | 160 | 140 | 120 | 80 | 60 | 0 | | | | | | | | |
| | n.d. | I TF | 230-400 | 50 | 1.87 | 1400 | 230 | 205 | 175 | 160 | 140 | 120 | 80 | 60 | 0 | | | | | | | | |
| | n.d. | M TF | 230-400 | 50 | 1.87 | 1400 | 230 | 205 | 175 | 160 | 140 | 120 | 80 | 60 | 0 | | | | | | | | |

ELETTROPOMPE A CORRENTE CONTINUA (CC) CON MANIGLIA/ DIRECT CURRENT ELECTRIC PUMPS (CC) WITH HANDLE

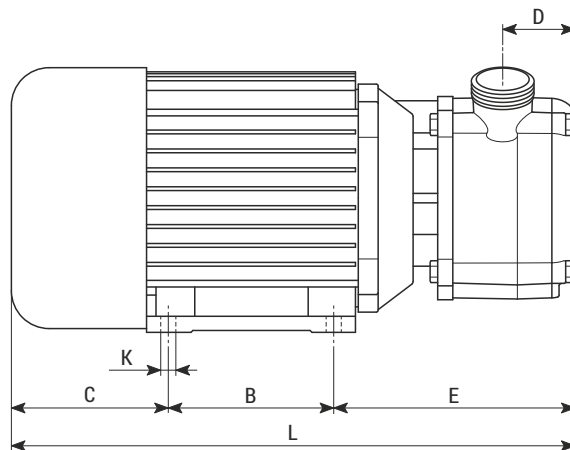
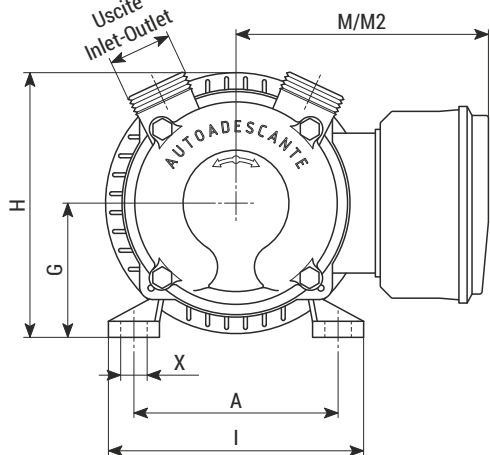
| Modello Type | Maniglia Handle | Motore Motor | Volt | A | kW | Giri/min. RPM | H = Prevalenza (metri) / Head (meters) - Q = Portata (l/min.) / Capacity (l/min.) | | | | | | | | | | | | | | | | |
|--------------|-----------------|--------------|------|----|------|---------------|---|-----|-----|-----|-----|-----|-----|----|----|----|----|---|--|--|--|--|--|
| | | | | | | | 0 | 5 | 8 | 10 | 12 | 15 | 18 | 20 | 22 | 24 | 30 | H | | | | | |
| EP 20 | ● | M CC | 12 | 26 | 0.33 | 2000 | 25 | 15 | 6 | 0 | | | | | | | | | | | | | |
| | ● | M CC | 24 | 14 | 0.33 | 2000 | 25 | 15 | 6 | 0 | | | | | | | | | | | | | |
| EP 20 T | ● | M CC | 12 | 36 | 0.45 | 3000 | 32 | 26 | 22 | 19 | 16 | 12 | 7 | 3 | 0 | | | | | | | | |
| | ● | M CC | 24 | 22 | 0.45 | 3000 | 32 | 26 | 22 | 19 | 16 | 12 | 7 | 3 | 0 | | | | | | | | |
| EP 25 | ● | M CC | 12 | 38 | 0.45 | 2000 | 53 | 35 | 22 | 12 | 0 | | | | | | | | | | | | |
| | ● | M CC | 24 | 22 | 0.45 | 2000 | 53 | 35 | 22 | 12 | 0 | | | | | | | | | | | | |
| EP 30 | ● | M CC | 24 | 28 | 0.6 | 1400 | 75 | 60 | 47 | 40 | 30 | 15 | 0 | | | | | | | | | | |
| EP 40 | ● | M CC | 24 | 45 | 1.1 | 1400 | 120 | 105 | 95 | 85 | 80 | 62 | 45 | 30 | 0 | | | | | | | | |
| EP 50 | n.d. | M CC | 24 | 95 | 1.5 | 1400 | 230 | 205 | 185 | 175 | 160 | 140 | 120 | 95 | 80 | 60 | 0 | | | | | | |

● = Pompe con maniglia inclusa / Pumps with handle included - X = disponibile a richiesta / available on request - n.d. = non disponibile / not available

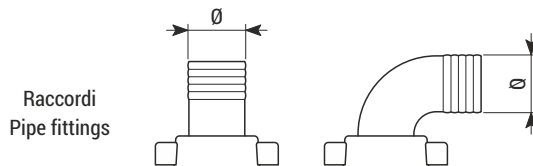
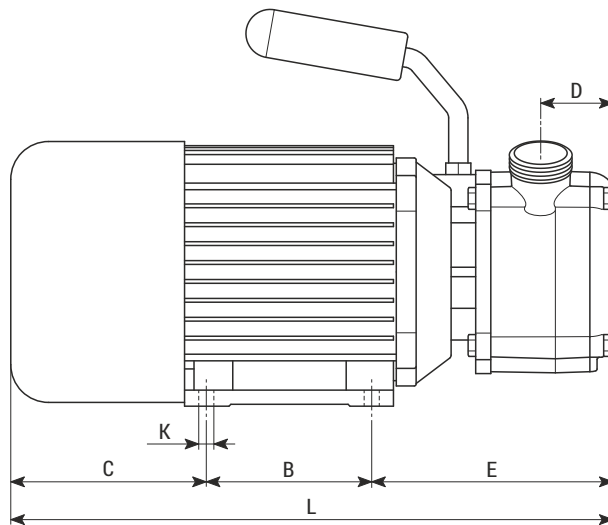
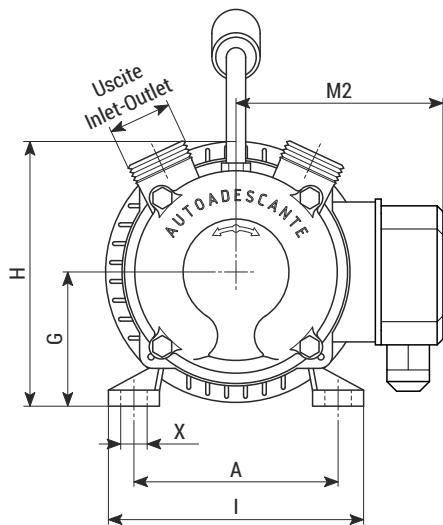
EPH 20
EP 20



EPH 25
EP 25



EP 20 CC
EP 20 T
EP 25 CC



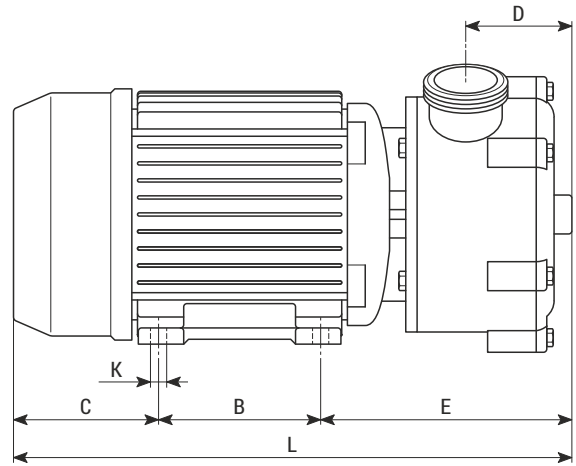
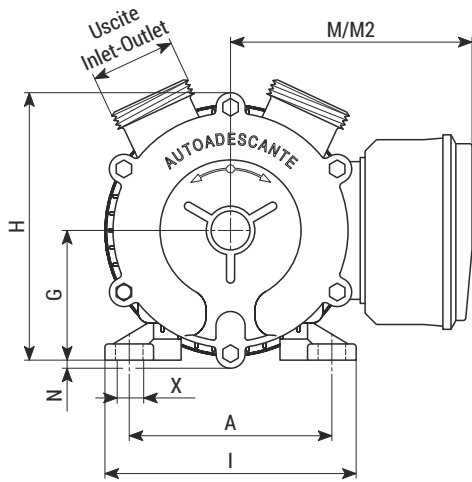
Raccordi
Pipe fittings

| Tipo Type | Uscite Inlet-Outlet | Raccordi Pipe fittings | Motore Motor | Peso Weight | Dimensioni (mm) / Dimensions (mm) | | | | | | | | | | | | | |
|--------------|------------------------|---------------------------|-----------------|----------------|-----------------------------------|----|-----|----|-----|----|-----|-----|---|-----|-----|-----|---|----|
| | | | | | A | B | C | D | E | G | H | I | K | L | M* | M2* | N | X |
| EPH 20 | BSP-M 3/4" | Ø20 | MF | 5.5 kg | 90 | 80 | 70 | 35 | 110 | 63 | 100 | 110 | 7 | 260 | 115 | - | - | 10 |
| EPH 25 | BSP-M 1" | Ø25 | MF | 9.2 kg | 112 | 90 | 78 | 40 | 127 | 71 | 124 | 136 | 7 | 295 | 125 | - | - | 12 |
| EP 20 | BSP-M 3/4" | Ø20 | CC | 5.7 kg | 100 | 80 | 100 | 35 | 115 | 63 | 106 | 120 | 7 | 295 | - | 100 | - | 12 |
| | | | MF/TF | 5.9 kg | 90 | 80 | 70 | 35 | 110 | 63 | 100 | 110 | 7 | 260 | 135 | 105 | - | 10 |
| EP 25 | BSP-M 1" | Ø25 | CC | 9.3 kg | 112 | 80 | 108 | 40 | 133 | 71 | 124 | 132 | 8 | 320 | - | 110 | - | 12 |
| | | | MF/TF | 9.8 kg | 112 | 90 | 88 | 40 | 127 | 71 | 124 | 136 | 8 | 305 | 145 | 110 | - | 12 |

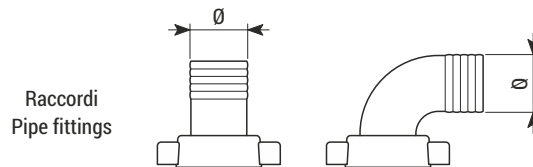
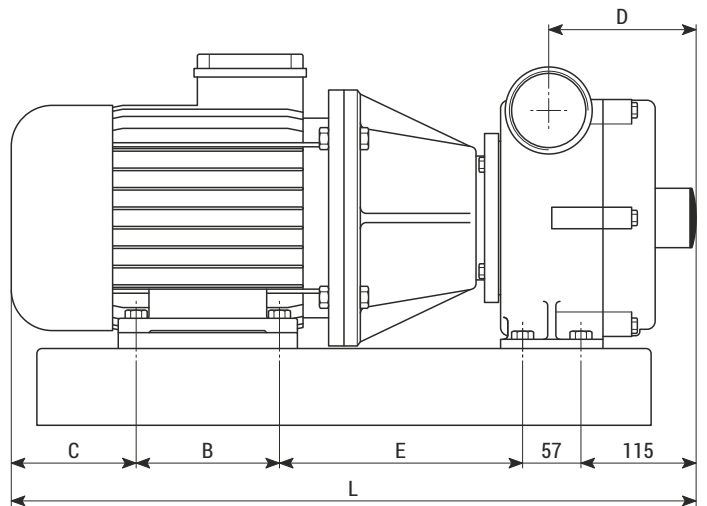
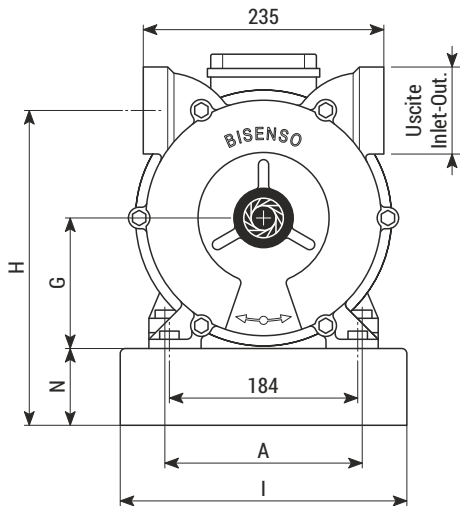
n.d. = Raccordi non disponibili / Pipe fittings not available

M* = interruttore/invertitore-portacondensatore / on-off reverse switch-capacitor box - M2* = morsettiera / terminal board connection

EP 30
EP 40
EP 50



EP 70



| Tipo Type | Uscite Inlet-Outlet | Raccordi Pipe fittings | Motore Motor | Peso Weight | Dimensioni (mm) / Dimensions (mm) | | | | | | | | | | | | | |
|--------------|------------------------|---------------------------|-----------------|----------------|-----------------------------------|-----|-----|-----|-----|-----|-----|-----|----|-----|-----|-----|------|------|
| | | | | | A | B | C | D | E | G | H | I | K | L | M* | M2* | N | X |
| EP 30 | BSP-M 1"1/4 | Ø30 | CC | 13.5 kg | 125 | 100 | 135 | 50 | 140 | 80 | 165 | 160 | 8 | 375 | - | 125 | 5 | 16 |
| | | | MF/TF | 13.2 kg | 125 | 100 | 90 | 50 | 140 | 80 | 165 | 155 | 10 | 330 | 155 | 125 | 5 | 17.5 |
| EP 40 | BSP-M 1"1/2 | Ø40 | CC | 19.8 kg | 140 | 125 | 185 | 67 | 180 | 90 | 175 | 175 | 10 | 490 | - | 130 | - | 17.5 |
| | | | MF/TF | 17.7 kg | 125 | 100 | 90 | 67 | 162 | 80 | 165 | 155 | 10 | 352 | 155 | 125 | 5 | 17.5 |
| EP 50 | BSP-M 2" | Ø50 | CC | 13.5 kg | 140 | 125 | 137 | 90 | 180 | 90 | 194 | 175 | 10 | 442 | - | - | 14 | 17.5 |
| | | | MF/TF | 13.2 kg | 140 | 125 | 100 | 90 | 210 | 90 | 194 | 175 | 10 | 435 | 160 | 130 | 14 | 17.5 |
| EP 70 | BSP-F 2"1/2 | n.d. | TF 5.5 kW | 19.8 kg | 200 | 140 | 137 | 146 | 242 | 128 | 306 | 270 | 11 | 690 | - | - | 72.5 | 18 |
| | | | TF 7.5 kW | 17.7 kg | 216 | 178 | 155 | 144 | 280 | 156 | 334 | 280 | 11 | 785 | - | - | 72.5 | 18 |

n.d. = Raccordi non disponibili / Pipe fittings not available

M* = interruttore/invertitore-portacondensatore / on-off reverse switch-capacitor box - M2* = morsettiera / terminal board connection